

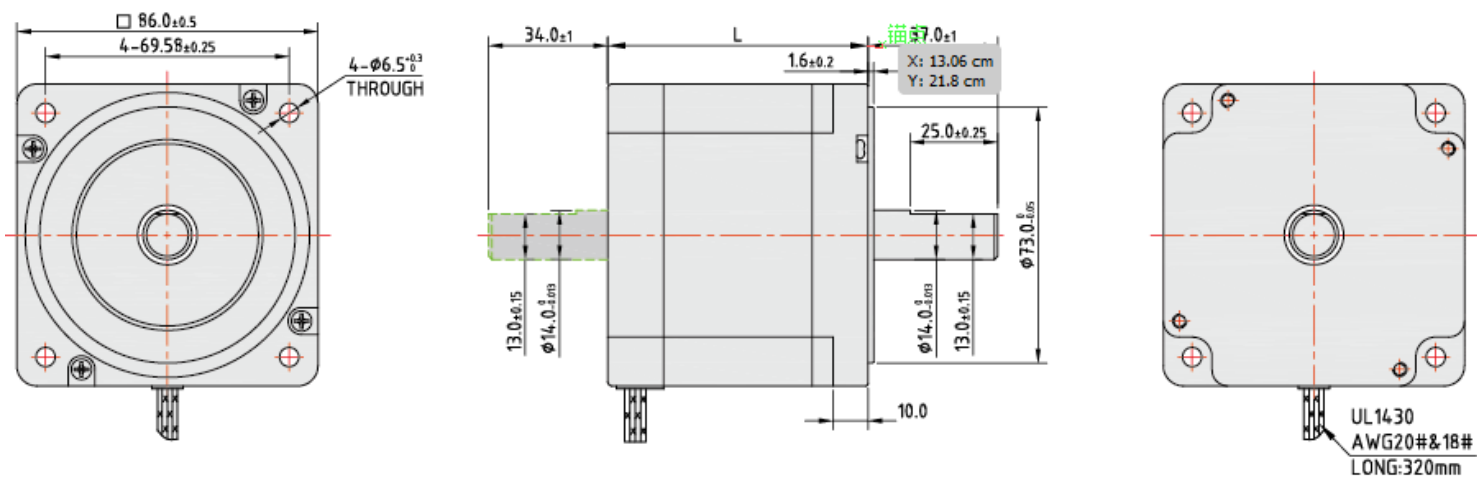
二相混合式高速步进电机 (SIZE 86mm-3°)



电机规格参数 (Motor Specifications)

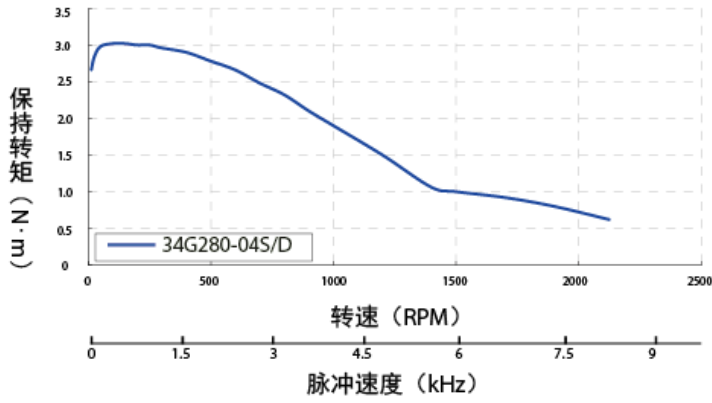
型号(Model)	电流	电阻@20℃	电感@1kHz	保持力矩		惯量	机身長	重量	
	Current	Resistance	Inductance	Holding torque		Inertia	Length	Weight	
	A	$\Omega \pm 10\%$	mH $\pm 20\%$	N.m	OZ.in	kg/cm ²	mm Max	Kg	Lbs
34G280-04S/D	6.0	0.5	2.8	4.0	567	1.8	80	2.1	4.6
34G2120-04S/D	6.0	0.7	6.0	7.2	1020	3.6	120	3.6	7.9
34G2120-05S/D	7.5	0.5	4.0	7.2	1020	3.6	120	3.6	7.9

外形图 (Dimensions)



短频曲线 (Torque-frequency Curve)

驱动方式: 恒流驱动 Drive Mode: Constant Current Drive
驱动电压: DC48V Voltage: DC60V
励磁方式: 2相 Excitation Mode: Bipolar



驱动方式: 恒流驱动 Drive Mode: Constant Current Drive
驱动电压: DC48V Voltage: DC60V
励磁方式: 2相 Excitation Mode: Bipolar

