

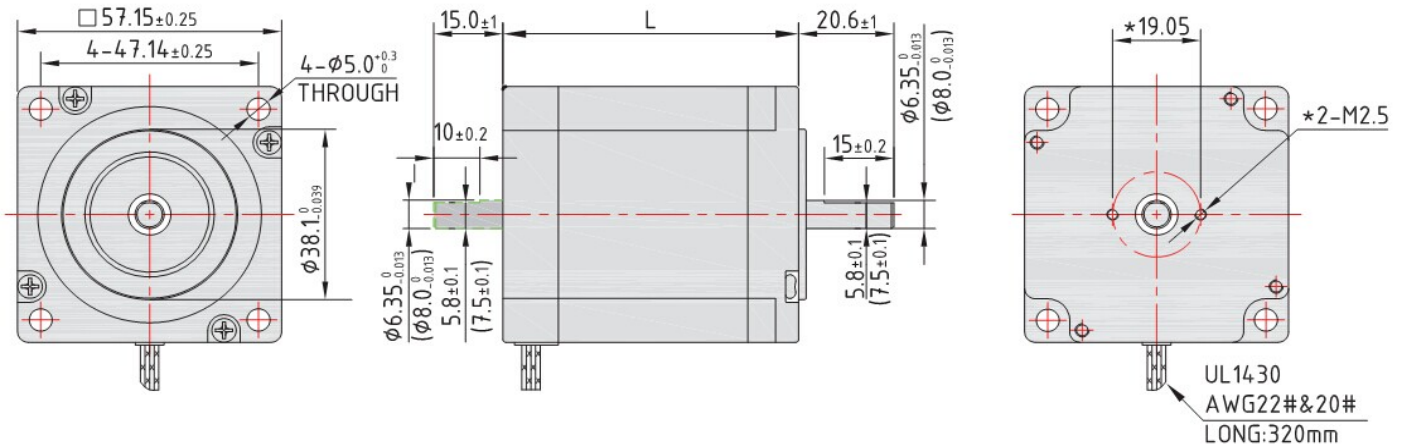
二相混合式步进电机 (SIZE 57mm-0.9°)



电机规格参数 (Motor Specifications)

型号(Model)	电流	电阻@20°C	电感@1kHz	保持力矩		惯量	机身長	重量	
	Current	Resistance	Inductance	Holding torque		Inertia	Length	Weight	
	A	$\Omega \pm 10\%$	mH $\pm 20\%$	N.m	OZ.in	g/cm ²	mm Max	Kg	Lbs
23H(E)445-01S/D	1.0	4.7	17.3	0.5	70.8	180	45.5	0.5	1.1
23H(E)445-02S/D	2.0	1.3	3.5	0.5	70.8	180	45.5	0.5	1.1
23H(E)445-03S/D	3.0	0.6	1.6	0.5	70.8	180	45.5	0.5	1.1
23H(E)455-01S/D	1.0	5.9	27.2	0.8	113.3	280	55.5	0.7	1.5
23H(E)455-02S/D	2.0	1.6	7.8	0.8	113.3	280	55.5	0.7	1.5
23H(E)455-03S/D	3.0	0.7	3.2	0.8	113.3	280	55.5	0.7	1.5
23H(E)476-02S/D	2.0	2.5	12.7	1.8	255.0	480	76.5	1.1	2.4
23H(E)476-03S/D	3.0	1.1	6.0	1.8	255.0	480	76.5	1.1	2.4
23H(E)476-04S/D	4.0	0.7	3.0	1.8	255.0	480	76.5	1.1	2.4

外形图 (Dimensions)



短频曲线 (Torque-frequency Curve)

