

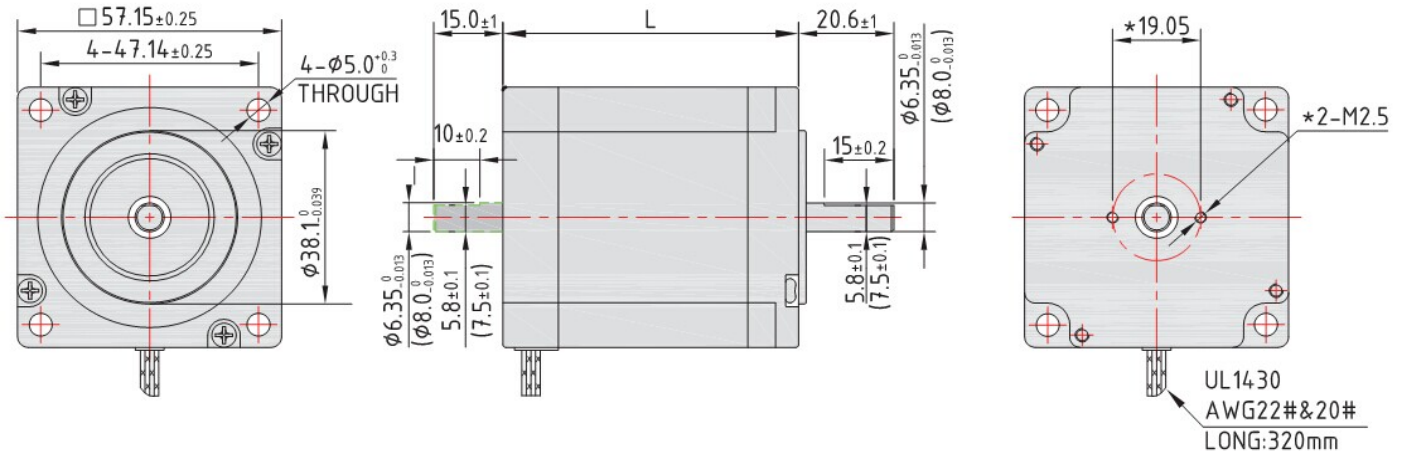
## 二相混合式步进电机 (SIZE 57mm-1.8°)



### 电机规格参数 (Motor Specifications)

型号(Model)	电流	电阻@20℃	电感@1Kz	保持力矩		惯量	机身長	重量	
	Current	Resistance	Inductance	Holding torque		Inertia	Length	Weight	
	A	$\Omega \pm 10\%$	mH $\pm 20\%$	N.m	OZ.in	g/cm <sup>2</sup>	mm Max	Kg	Lbs
23H(E)242-01S/D	1.0	4.2	9.0	0.6	85.0	14.0	42.5	0.46	1.0
23H(E)242-02S/D	2.0	1.2	2.3	0.6	85.0	14.0	42.5	0.46	1.0
23H(E)242-03S/D	3.0	0.5	1.0	0.6	85.0	14.0	42.5	0.46	1.0
23H(E)245-01S/D	1.0	4.5	11.0	0.8	113.3	180	45.5	0.52	1.2
23H(E)245-02S/D	2.0	1.3	2.9	0.8	113.3	180	45.5	0.52	1.2
23H(E)245-03S/D	3.0	0.6	1.3	0.8	113.3	180	45.5	0.52	1.2
23H(E)251-01S/D	1.0	5.3	16.4	1.0	141.6	240	51.5	0.64	1.4
23H(E)251-02S/D	2.0	1.5	4.4	1.0	141.6	240	51.5	0.64	1.4
23H(E)251-03S/D	3.0	0.7	2.0	1.0	141.6	240	51.5	0.64	1.4
23H(E)255-01S/D	1.0	5.8	21.0	1.2	170.0	280	55.5	0.72	1.6
23H(E)255-02S/D	2.0	1.6	5.3	1.2	170.0	280	55.5	0.72	1.6
23H(E)255-03S/D	3.0	0.7	2.4	1.2	170.0	280	55.5	0.72	1.6
23H(E)265-02S/D	2.0	2.0	6.1	1.7	240.8	350	65.5	0.86	1.9
23H(E)265-03S/D	3.0	0.9	3.0	1.7	240.8	350	65.5	0.86	1.9
23H(E)265-04S/D	4.0	0.5	1.6	1.7	240.8	350	65.5	0.86	1.9
23H(E)276-02S/D	2.0	2.4	9.0	2.0	283.3	480	76.5	1.06	2.3
23H(E)276-03S/D	3.0	1.1	4.2	2.0	283.3	480	76.5	1.06	2.3
23H(E)276-04S/D	4.0	0.6	2.4	2.0	283.3	480	76.5	1.06	2.3

## 外形图 (Dimensions)



## 短频曲线 (Torque-frequency Curve)

