

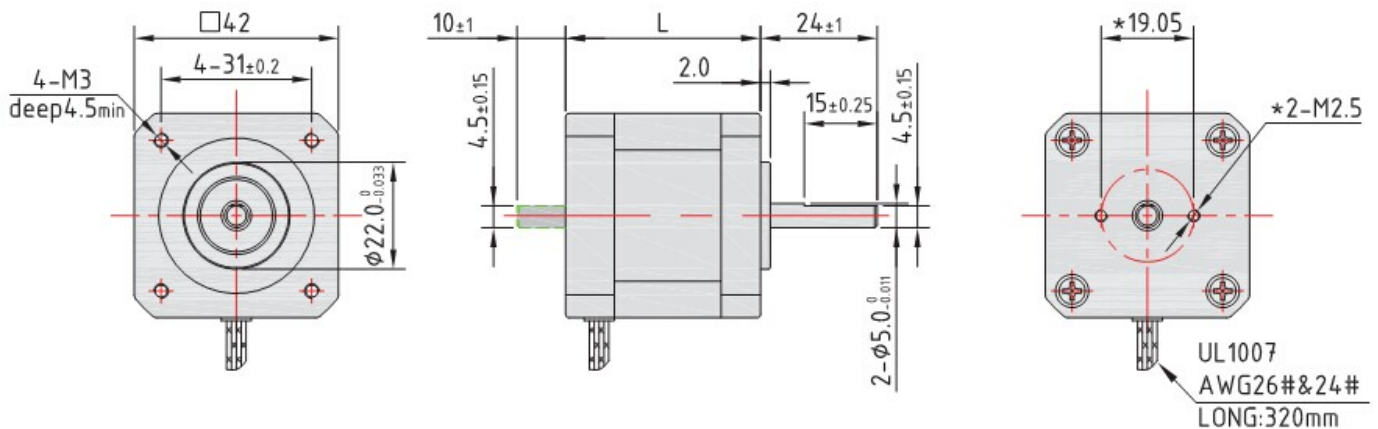
二相混合式步进电机 (SIZE 42mm-0.9°)



电机规格参数 (Motor Specifications)

型号(Model)	电流	电阻@20°C	电感@1kHz	保持力矩		惯量	机身長	重量	
	Current	Resistance	Inductance	Holding torque		Inertia	Length	Weight	
	A	$\Omega \pm 10\%$	mH $\pm 20\%$	N.m	OZ.in	g/cm ²	mm Max	Kg	Lbs
17H431-01S/D	0.6	6.7	12.0	0.12	17.0	23	31	0.20	0.4
17H431-02S/D	1.2	1.8	3.1	0.12	17.0	23	31	0.20	0.4
17H435-01S/D	0.6	8.0	20.0	0.22	31.2	35	35	0.24	0.5
17H435-02S/D	1.2	2.1	5.0	0.22	31.2	35	35	0.24	0.5
17H441-01S/D	0.6	9.7	27.0	0.32	45.3	54	41	0.30	0.7
17H441-02S/D	1.2	2.5	7.0	0.32	45.3	54	41	0.30	0.7
17H449-01S/D	0.6	12.2	37.0	0.40	56.7	77	49	0.36	0.8
17H449-02S/D	1.2	3.1	10.0	0.40	56.7	77	49	0.36	0.8
17H449-03S/D	1.8	1.5	5.0	0.40	56.7	77	49	0.36	0.8
17H461-01S/D	0.6	15.4	49.1	0.68	96.3	110	61	0.50	1.1
17H461-02S/D	1.2	4.0	13.5	0.68	96.3	110	61	0.50	1.1
17H461-03S/D	1.8	2.0	6.3	0.68	96.3	110	61	0.50	1.1

外形图 (Dimensions)



短频曲线 (Torque-frequency Curve)

